

**AUVA LED1X3250 G092 T740 LSS2 • 1102931**


ATA

Product:	Auva LED1x3250 G092 T740 LSS2
Order code:	1102931
Family:	Auva LED
Product group:	Park and street luminaires

**GENERAL DATA**

<b>Description:</b>	Pole-mounted LED street luminaire Light distribution: direct Optical system: lenses, tempered glass diffuser, impact resistant Housing: aluminum Colour: light grey (RAL7035)
<b>Installation:</b>	With two screws on Ø60mm horizontal or vertical pole, on the wall (mounting bracket to be ordered separately). Adjustable installation angles: on horizontal pole: +/- 15 degrees, on vertical pole: +/- 15 degrees. Screw terminal, 3x1x2.5mm2
<b>Environment</b>	Outdoor
<b>Application</b>	public space, parking area, street

<b>Mains voltage:</b>	220-240V, 50/60Hz	<b>System power*, W:</b>	28.1
<b>Power factor:</b>	>0,95	<b>Control gear:</b>	ECG on/off
<b>Integrated sensor:</b>	None	<b>Connection:</b>	Screw terminal, 3x1x2.5mm2

**LIGHTING DATA**

<b>Light source and cap, W:</b>	LED	<b>Light source included:</b>	yes
<b>Luminaire output*, lm (ta+25°C):</b>	3325	<b>System efficacy, lm/W:</b>	118
<b>CRI (Ra):</b>	70+	<b>CCT, K:</b>	4000
<b>SDCM:</b>	3	<b>Light Distribution:</b>	Other
<b>Distribution Type:</b>	Direct	<b>Beam angle, °:</b>	Asymmetrical
<b>LED lifetime, h:</b>	100000/L90B10		

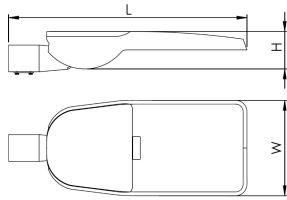
**TECHNICAL DATA**

<b>Net weight, kg:</b>	4.9	<b>Quantity in package, pcs:</b>	1
<b>Packaging volume, m3/pcs:</b>	0.0158704	<b>Pallet quantity, pcs:</b>	70
<b>Dimensions, mm:</b>	525x250x102		

**STANDARDS**

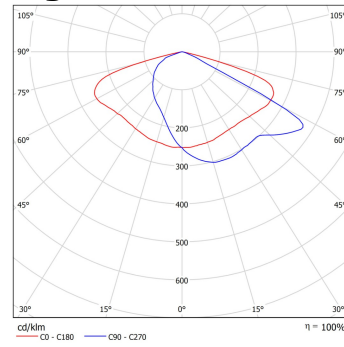
<b>Operating temperature range, °C:</b>	ta -25...+40	<b>Protection class IEC:</b>	I
<b>Ingress protection code:</b>	IP66	<b>Mechanical impact resistance:</b>	IK09
<b>EEC:</b>	A++	<b>Certificates:</b>	CE, RoHS
<b>Warranty:</b>	3 years		

Technical drawing (.jpg)



L, mm	W, mm	H, mm
525	250	102
625	288	102
776	320	102

## Light distribution curve (.jpg)



### Note:

Tolerance range for optical and electrical data:  $\pm 10\%$ . Values apply to an ambient temperature of 25 C. NORTHCLIFFE LIGHTING is constantly developing and improving its products. The right is reserved to change any product specifications without prior notification

Date of issue: 2021-10-21 ■ NORTHCLIFFE LIGHTING, UAB ■ Raudondvario pl. 101, LT-47184 Kaunas, Lithuania ■ [info@northcliffe.org](mailto:info@northcliffe.org) ■ [www.northcliffe.org](http://www.northcliffe.org)

**NIGEA LED1X1650 E800 T840 • 1025851**


Product:	Nigea LED1x1650 E800 T840
Order code:	1025851
Family:	Nigea LED
Product group:	Park and street luminaires

**GENERAL DATA**

<b>Description:</b>	Ground-mounted LED bollard Light distribution: direct Optical system: matt aluminium reflector, clear polycarbonate diffuser, impact resistant Housing: aluminium Colour: dark grey (RAL7043)
<b>Installation:</b>	On the ground (flange mounting plate included). Screw terminal, 3x1x1.5mm2
<b>Environment</b>	Outdoor
<b>Application</b>	park, public space

**ELECTRICAL DATA**

<b>Mains voltage:</b>	220-240V, 50/60Hz	<b>System power*, W:</b>	14.3
<b>Power factor:</b>	>0,95	<b>Control gear:</b>	ECG on/off
<b>Integrated sensor:</b>	None	<b>Connection:</b>	Screw terminal, 3x1x1.5mm2

**LIGHTING DATA**

<b>Light source and cap, W:</b>	LED	<b>Light source included:</b>	yes
<b>Luminaire output*, lm (ta+25°C):</b>	1627	<b>System efficacy, lm/W:</b>	113
<b>CRI (Ra):</b>	80+	<b>CCT, K:</b>	4000
<b>SDCM:</b>	3	<b>Light Distribution:</b>	Asymmetrical
<b>Distribution Type:</b>	Direct	<b>Beam angle, °:</b>	Asymmetrical
<b>LED lifetime, h:</b>	50000/L80B50		

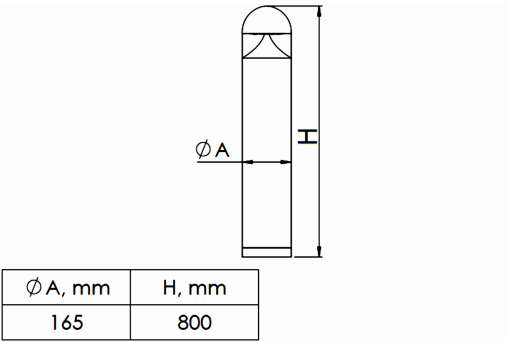
**TECHNICAL DATA**

<b>Net weight, kg:</b>	3.5	<b>Quantity in package, pcs:</b>	1
<b>Packaging volume, m3/pcs:</b>	0.02622375	<b>Pallet quantity, pcs:</b>	30
<b>Dimensions, mm:</b>	165x165x800		

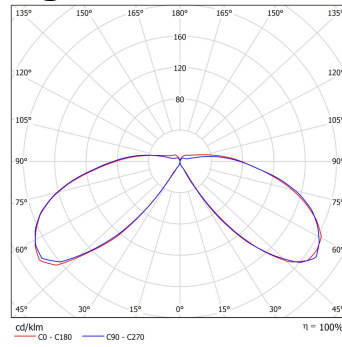
**STANDARDS**

<b>Operating temperature range, °C:</b>	ta -25...+40	<b>Protection class IEC:</b>	I
<b>Ingress protection code:</b>	IP54	<b>Mechanical impact resistance:</b>	IK08
<b>EEC:</b>	A++	<b>Certificates:</b>	CE, RoHS
<b>Warranty:</b>	3 years		

Technical drawing (.jpg)



## Light distribution curve (.jpg)



### Note:

Tolerance range for optical and electrical data:  $\pm 10\%$ . Values apply to an ambient temperature of 25 C. NORTHCLIFFE LIGHTING is constantly developing and improving its products. The right is reserved to change any product specifications without prior notification

Date of issue: 2021-10-21 ■ NORTHCLIFFE LIGHTING, UAB ■ Raudondvario pl. 101, LT-47184 Kaunas, Lithuania ■ [info@northcliffe.org](mailto:info@northcliffe.org) ■ [www.northcliffe.org](http://www.northcliffe.org)

**ETA B LED1X1300 D057 T840 • 1020430**


Product:	Eta B LED1x1300 D057 T840
Order code:	1020430
Family:	Eta B
Product group:	Outdoor accent lighting

**GENERAL DATA**

<b>Description:</b>	Surface mounted accent LED luminaire Light distribution type: direct Optical system: opal polycarbonate diffuser, UV stable, impact resistant Housing: aluminium Colour: dark grey (RAL7043)
<b>Installation:</b>	On the walls or ceiling. Push-in terminal, 3x2x2.5mm2
<b>Environment</b>	Outdoor
<b>Application</b>	public space, parking area, facade illumination

**ELECTRICAL DATA**

<b>Mains voltage:</b>	220-240V, 0/50/60Hz	<b>System power*, W:</b>	13.8
<b>Power factor:</b>	>0,90	<b>Control gear:</b>	ECG on/off
<b>Integrated sensor:</b>	None	<b>Surge protection (L to N), kV:</b>	1
<b>Surge protection (L/N to PE), kV:</b>	2	<b>Inrush current (Imax/time):</b>	5A 50µsec
<b>Overvoltage protection:</b>	320V AC, 1h	<b>Connection:</b>	Push-in terminal, 3x2x2.5mm2

**LIGHTING DATA**

<b>Light source and cap, W:</b>	LED	<b>Light source included:</b>	yes
<b>Luminaire output*, lm(ta+25°C):</b>	1164	<b>System efficacy, lm/W:</b>	84
<b>CRI (Ra):</b>	80+	<b>CCT, K:</b>	4000
<b>SDCM:</b>	3	<b>Light Distribution:</b>	Symmetrical wide beam (76°...125°)
<b>Distribution Type:</b>	Direct	<b>Beam angle, °:</b>	117
<b>LED lifetime, h:</b>	100000/L80B50	<b>Ripple current (≤120 Hz), %:</b>	≤3

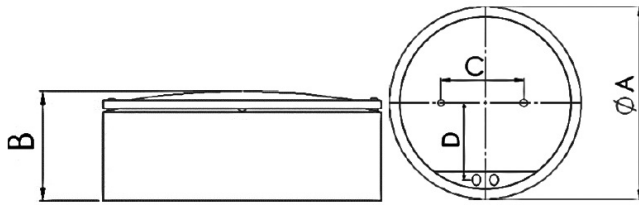
**TECHNICAL DATA**

<b>Net weight, kg:</b>	3.04	<b>Quantity in package, pcs:</b>	1
<b>Packaging volume, m3/pcs:</b>	0.0177	<b>Pallet quantity, pcs:</b>	72
<b>Dimensions, mm:</b>	360x360x130		

**STANDARDS**

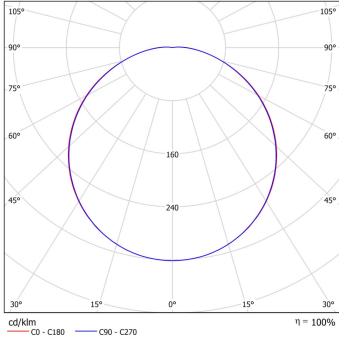
<b>Operating temperature range, °C:</b>	-20...+40 C	<b>Protection class IEC:</b>	I
<b>Ingress protection code:</b>	IP65	<b>Mechanical impact resistance:</b>	IK10
<b>EEC:</b>	A+	<b>Certificates:</b>	CE, UKCA, RoHS
<b>Warranty:</b>	3 years		

Technical drawing (.jpg)



	A, mm	B, mm	C, mm	D, mm
Eta B	360	130	260	135

## Light distribution curve (.jpg)



### Note:

Tolerance range for optical and electrical data:  $\pm 10\%$ . Values apply to an ambient temperature of 25°C. NORTHCLIFFE LIGHTING is constantly developing and improving its products. The right is reserved to change any product specifications without prior notification

Date of issue: 2022-06-22 ■ NORTHCLIFFE LIGHTING, UAB ■ Raudondvario pl. 101, LT-47184 Kaunas, Lithuania ■ [info@northcliffe.org](mailto:info@northcliffe.org) ■ [www.northcliffe.org](http://www.northcliffe.org)

# iPonte

iPonte is a robust wall or surface mount luminaire with glare-free lighting distribution, perfect for general ambient lighting applications.

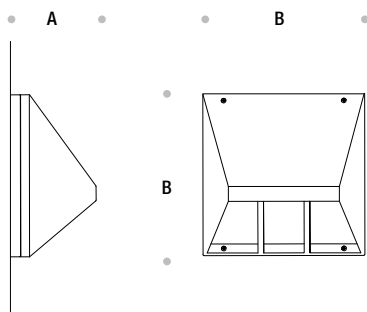
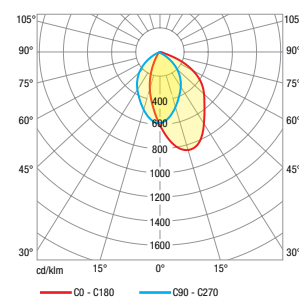
Designed to last in extremely harsh environments.





CODE	POWER CONSUMPTION	LUMEN OUTPUT (lm) 3000K / 4000K	COLOUR TEMPERATURE	A (mm)	B (mm)
AC4410	12W	900 / 1020	3000K / 4000K	120	220
AC4412	27W	2025 / 2295	3000K / 4000K	150	280

<b>LED Type</b>	High efficiency LEDs, available in 2700K, 3000K, 4000K, 5000K, 6500K CCT tolerance within a 3-step MacAdams ellipse and LM80 compliant.
<b>Nominal Voltage</b>	220V-240V AC, 50/60Hz
<b>Color Rendering Index</b>	CRI> 80 standard and CRI>90 on request.
<b>Light Distribution</b>	Downward light distribution.
<b>Materials</b>	Corrosion resistant double layer polyester powder coated paint finish die cast aluminium housing with stainless steel screws (A4 grade) and silicone gaskets. Power unit is built in. Available in anthracite gray as a standard finish or any desired RAL colour.
<b>Optional Coating</b>	Marine grade.
<b>Diffuser</b>	Thermal-shock resistant tempered glass.
<b>LED Specification</b>	L90B50 > 100000 hours life time.
<b>Energy Efficiency Class (EEC)</b>	A++
<b>Operating Temperature</b>	-40°C / +55°C
<b>Power Factor</b>	>0.95
<b>Control Systems</b>	DALI Interface.
<b>Protection Class</b>	IP65
<b>Impact Resistance</b>	IK08
<b>Insulation Class</b>	Class I
<b>Conformity</b>	Complies with European Standards EN 60598 and CE certified.





**ATLAS M LED1X2000 D456 T830 L30 • 1101850**


Product:	Atlas M LED1x2000 D456 T830 L30
Order code:	1101850
Family:	Atlas M LED
Product group:	Outdoor accent lighting

**GENERAL DATA**

<b>Description:</b>	Ground-mounted LED luminaire Light distribution type: direct Optical system: lens, tempered glass diffuser, impact resistant Housing: aluminum, dark grey (RAL7043) Frame: stainless-steel, brushed
<b>Installation:</b>	In the ground. Cable, 1.0m, 3x1.5mm <sup>2</sup>
<b>Environment</b>	Outdoor
<b>Application</b>	public space, facade illumination

**ELECTRICAL DATA**

<b>Mains voltage:</b>	220-240V, 50/60Hz	<b>System power*, W:</b>	19.4
<b>Power factor:</b>	>0,90	<b>Control gear:</b>	ECG on/off
<b>Integrated sensor:</b>	None	<b>Connection:</b>	Cable, 1.0m, 3x1.5mm <sup>2</sup>

**LIGHTING DATA**

<b>Light source and cap, W:</b>	LED	<b>Light source included:</b>	yes
<b>Luminaire output*, lm(ta+25°C):</b>	1964	<b>System efficacy, lm/W:</b>	101
<b>CRI (Ra):</b>	80+	<b>CCT, K:</b>	3000
<b>SDCM:</b>	3	<b>Light Distribution:</b>	Symmetrical medium beam (31°...75°)
<b>Distribution Type:</b>	Direct	<b>Beam angle, °:</b>	38
<b>LED lifetime, h:</b>	40000/L70B50		

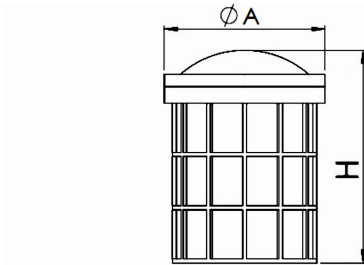
**TECHNICAL DATA**

<b>Net weight, kg:</b>	4.5	<b>Quantity in package, pcs:</b>	1
<b>Packaging volume, m<sup>3</sup>/pcs:</b>	0.0113	<b>Pallet quantity, pcs:</b>	80
<b>Dimensions, mm:</b>	200x200x235		

**STANDARDS**

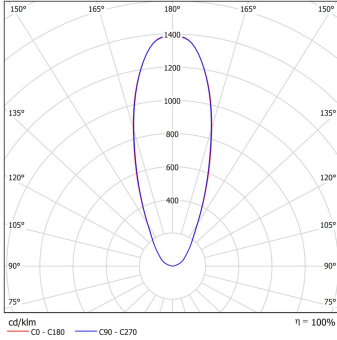
<b>Operating temperature range, °C:</b>	-25...+40 C	<b>Protection class IEC:</b>	I
<b>Ingress protection code:</b>	IP67	<b>Mechanical impact resistance:</b>	IK10
<b>EEC:</b>	A+	<b>Certificates:</b>	CE, RoHS
<b>Warranty:</b>	3 years		

**Technical drawing (.jpg)**



$\phi A$ , mm	H, mm
200	235

## Light distribution curve (.jpg)



### Note:

Tolerance range for optical and electrical data:  $\pm 10\%$ . Values apply to an ambient temperature of 25°C. NORTHCLIFFE LIGHTING is constantly developing and improving its products. The right is reserved to change any product specifications without prior notification

Date of issue: 2022-06-22 ■ NORTHCLIFFE LIGHTING, UAB ■ Raudondvario pl. 101, LT-47184 Kaunas, Lithuania ■ [info@northcliffe.org](mailto:info@northcliffe.org) ■ [www.northcliffe.org](http://www.northcliffe.org)